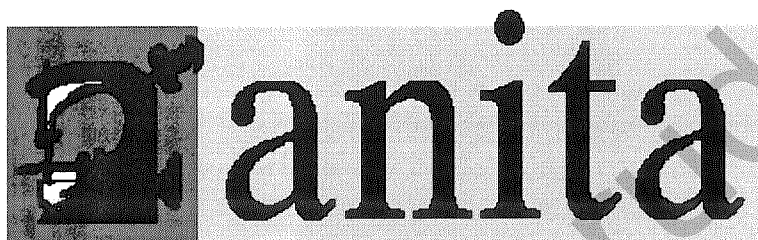


Katalog náhradních dílů pro
průmyslový šicí stroj

GARUDAN®

GS-2500 serie



ANITA B s.r.o.

Hliníky 2068

680 01 Boskovice

Czech Republic

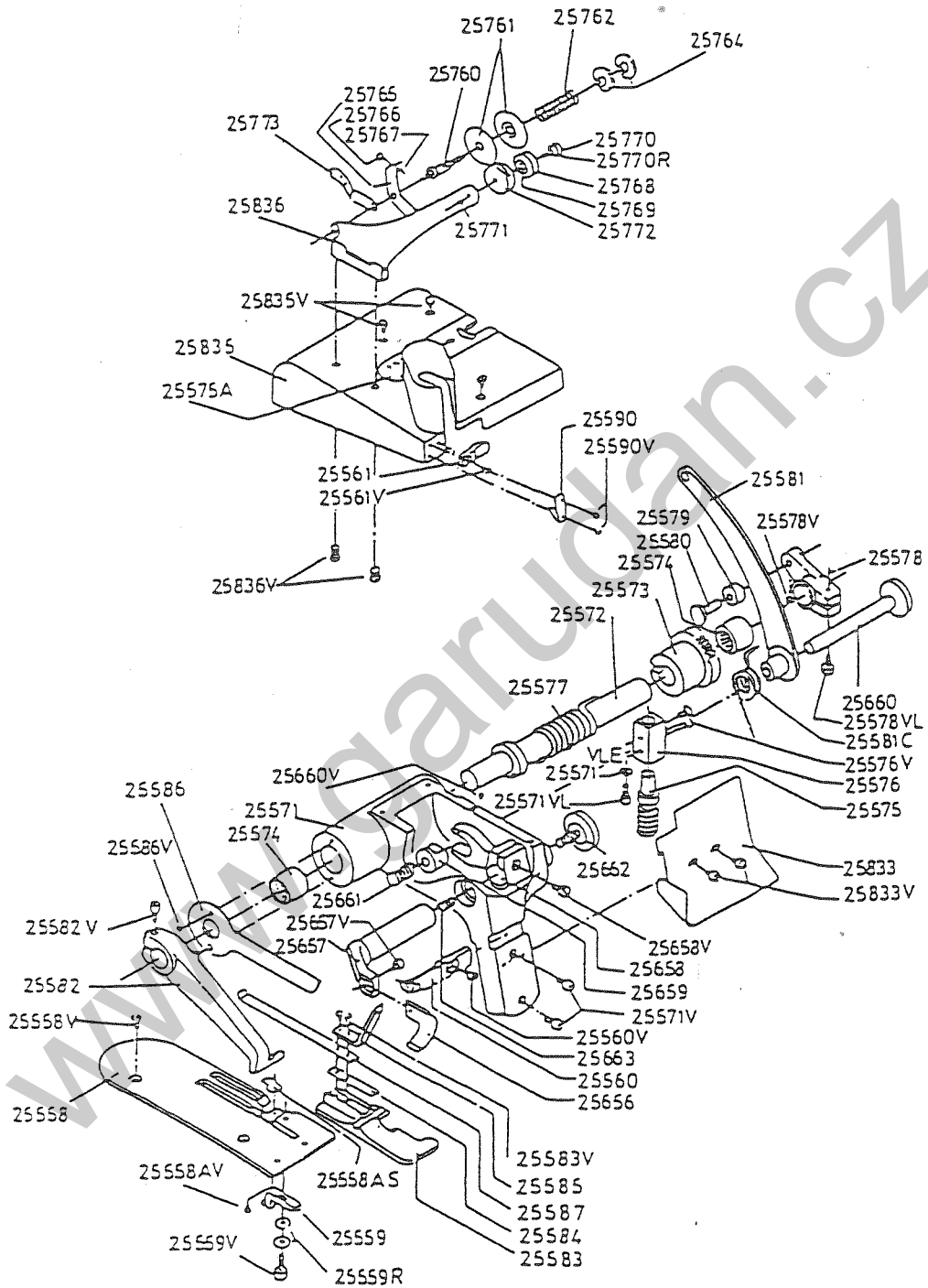
fax: +420 516 452 751

tel: +420 516 454 774,

+420 516 453 496

e-mail: info@anita.cz

PRESSER FOOT ASSEMBLY.

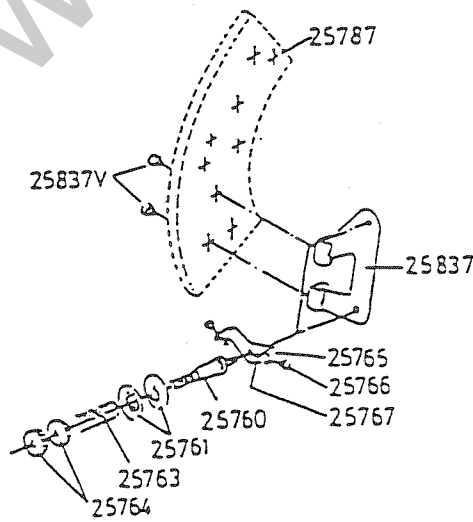
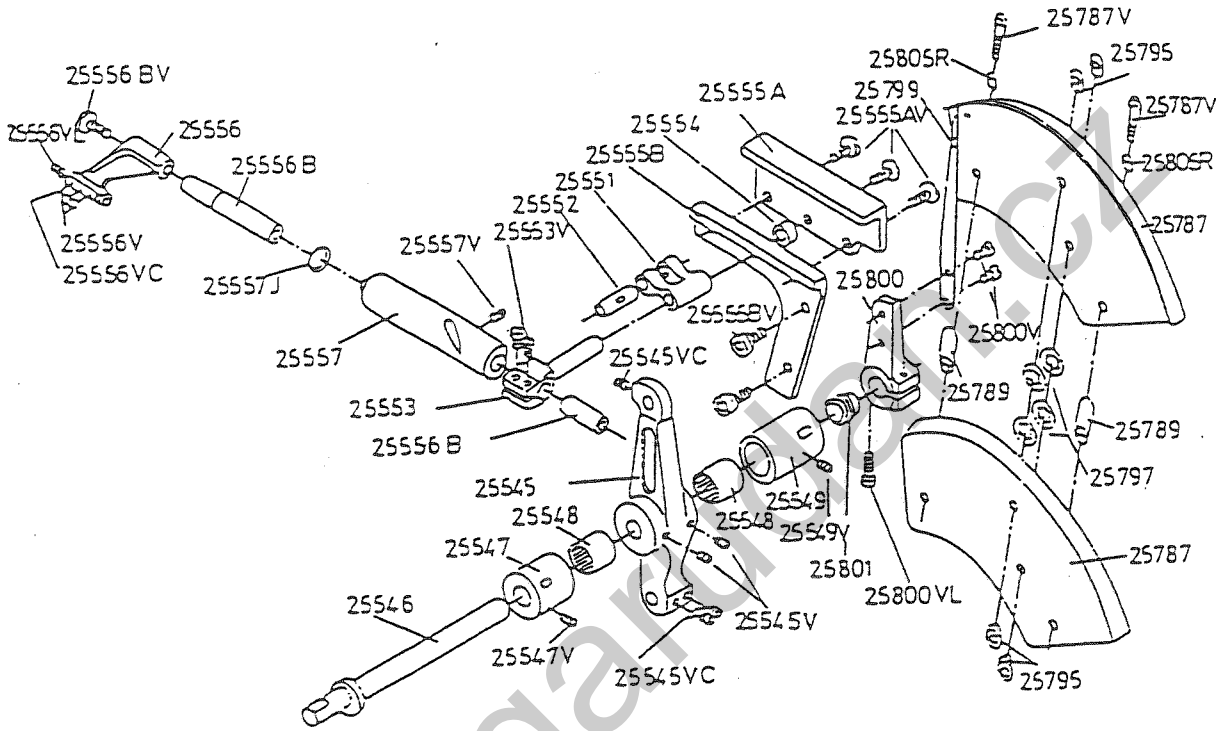


PRESSER FOOT MECHANISM

25558	Needle plate	25658	Positioning lever
25558AS	Finger	25658Y	Screw
25558AV	Screw	25659	Slide block
25558V	Screw	25660	Shaft
Set 25559A	Needle guide complete		
25559	Needle guide		
25559Y	Screw	25660V	Screw
25559R	Washer	25661	Feed spring
		25662	Screw
25560	Chain guide	25663	Spring
25560V	Screw		
25561	Thread tension releaser		
25561V	Screw	Set 25760	Tension complete
25571	Frame	25760	Tension post
25571V	Screw	25761	Tension disc
25571VL	Screw	25762	Tensionspring (1,2mm)
25571VLE	Nut	25764	Nut
25572	Lever shaft	25765	Thread guide plate
25573	Bushing	25766	Thread guiding ring
25574	Bearing	25767	Snap ring
25575	Regulating screw		
25575A	Label		
25576	Regulating screw holder		
25576V	Screw		
25577	Foot lifter spring		
25578	Rise lever		
25578V	Screw		
25578VL	Screw	25768	Roller
25579	Roller	25769	Bearing
25580	Roller stud	25770	Precision screw
25581	Presser foot lifter lever		
25581C	Return spring		
25582	Presser foot arm	25770R	Washer
25582V	Screw	25571	Nut
25583	Presser foot	25772	Roller holder
25583V	Screw	25773	Thread guide
25584	Spring	25833	Protective plate
25585	Holder for parallelism		
25586	Connecting rod	25833V	Screw
25586V	Screw	25835	Cover
25587	Folium	25835V	Screw
25590	Chain cutter	25836	Tension holder
25590V	Screw	25836V	Screw
25656	Upper knife		
25657	Upper knife holder		
25657V	Screw		

When ordering parts marked with a "*" whole set will be delivered.

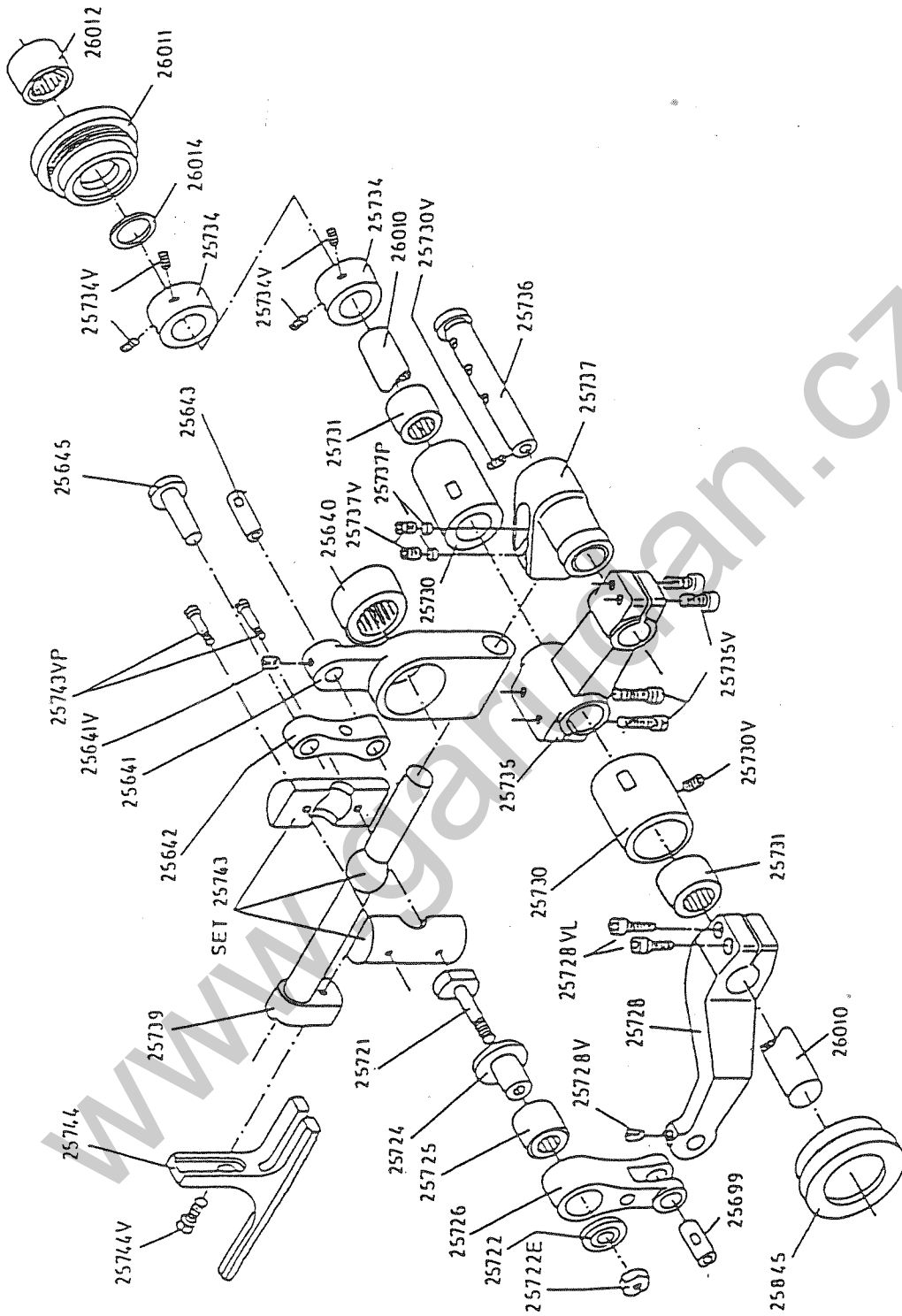
NEEDLE BAR MECHANISM



NEEDLE BAR MECHANISM

25545	Needle bar lever
25545Y	Screw
25545YC	Screw
25546	Eccentric shaft
25547	Bushing
25547Y	Screw
25548	Bearing
25549	Bushing
25549Y	Screw
25551	Connection link
25552	Link shaft
25553	Connection stud
25553Y	Screw
25554	Guide roller
25555A	Needle bar guide
25555B	Needle bar guide
25555AV	Screw
25555BV	Screw
SET 25556	Needle clamp assembly
25556	Needle clamp
25556B	Needle bar
25556V	Screw
25556VL	Screw
25556BV	Screw
25556VC	Screw
25557	Needle bar bushing
25557J	O-ring
25557Y	Screw
SET 25760	Tension complete
25760	Tension post
25761	Tension disc
25763	Tension spring
25764	Nut
25765	Thread guide plate
25766	Thread guiding ring
25767	Snap ring
25787	Thread guide holder
25787Y	Screw
25789	Bushing
25795	Thread guide
25797	Spring ring
25799	Thread take-up
25800	Thread take-up lever
25800Y	Screw
25800YL	Screw
25801	Rubber V-ring
25805R	Washer
25837	Tension holder
25837Y	Screw

When ordering parts marked with a 'a' whole set will be delivered.

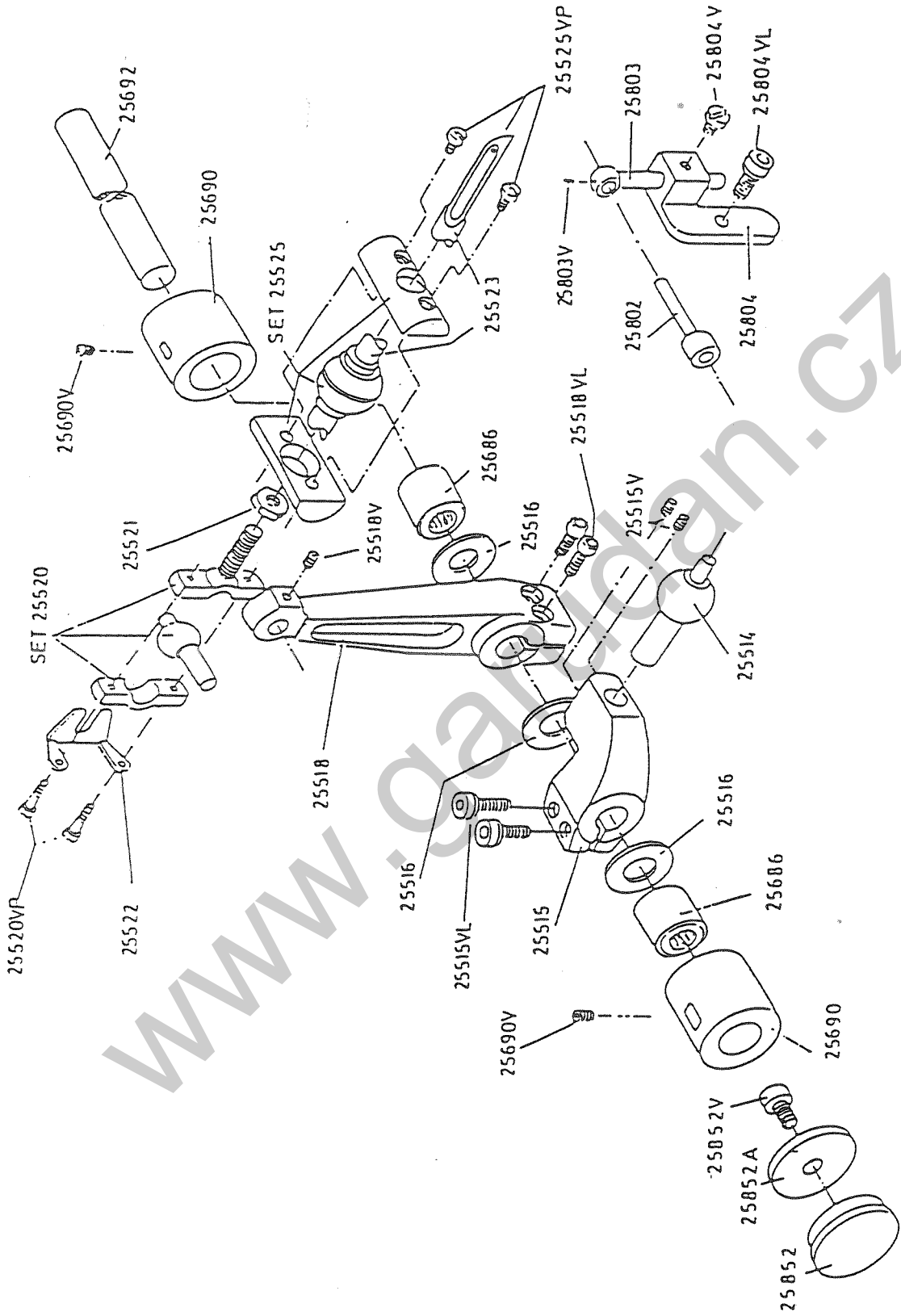


FEEDDOG MECHANISM

FEEDDOG MECHANISM

SET 25641	Lower knife driving link complete
25640	Bearing
* 25641	Lower knife driving link
25641V	Screw
25642	Driving link
25643	Lower shaft
25645	Stud
25699	Pin
25721	Feed across regulator
25722	Washer
25722E	Nut
25724	Bearing bushing
25725	Bearing
25726	Feed driving rod
25728	Feed driving lever
25728V	Screw
25728VL	Screw
25730	Bushing
25730V	Screw
25731	Bearing
25734	Thrust collar
25734V	Screw
25735	Feed driving lever
25735V	Screw
25736	Stud
25737	Base
25737P	Protection
25737V	Screw
25739	Feeddog shaft
SET 25743	Complete feeddog shaft guide
* 25742	Shutter
* 25743	Feeddog shaft guide
25743YP	Clamp screw
25744	Feeddog
25744V	Screw
25845	Plug
26010	Shaft
26011	Bushing
26012	Bearing
26014	O-ring

When ordering parts marked with a ***
whole set will be delivered.



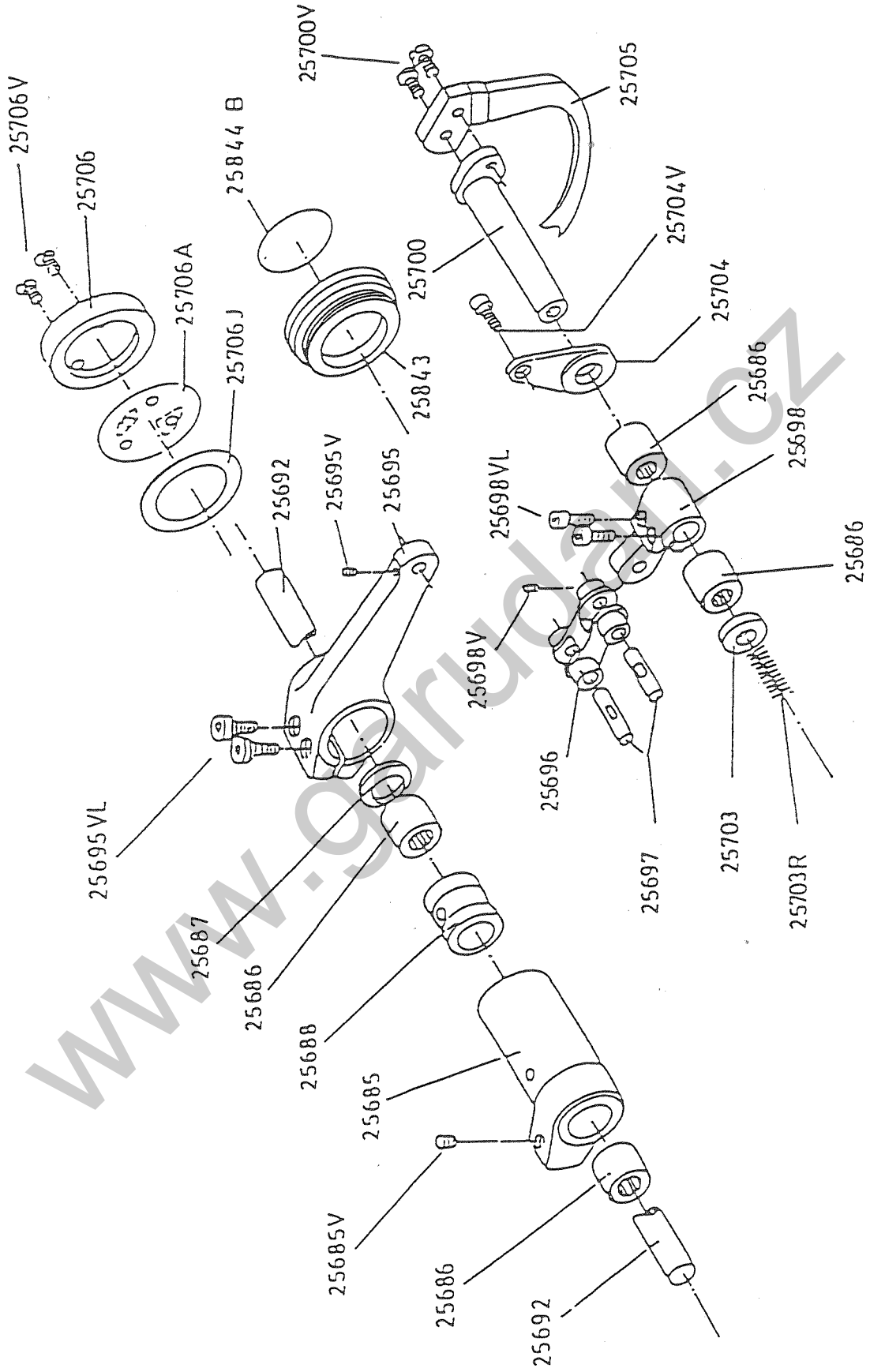
Lower looper mechanism

LOWER LOOPER MECHANISM

SET 25511	Connecting rod complete
* 25514	Ball
25515	Small driving lever
25515Y	Screw
25515YL	Screw
25516	Washer
25518	Driving lever
25518Y	Screw
25518YL	Screw
SET 25520	Complete ball joint
* 25519	Looper ball
* 25520	Ball joint
25520VP	Precision screw
25521	Nut
25522	Ball joint guide fork
25523	Lower looper
SET 25525	Under looper guide complete
* 25524	Ball
* 25525	Under looper ball joint
25525VP	Screw
25686	Needle bearing
25690	Bushing
25690Y	Screw
25692	Shaft
25802	Thread guide
25803	Thread guide supporting shaft
25803Y	Screw
25804	Thread guide holder
25804Y	Screw
25804VL	Screw
25852	Plug
25852A	Washer
25852V	Screw

When ordering parts marked with a ***
whole set will be delivered.

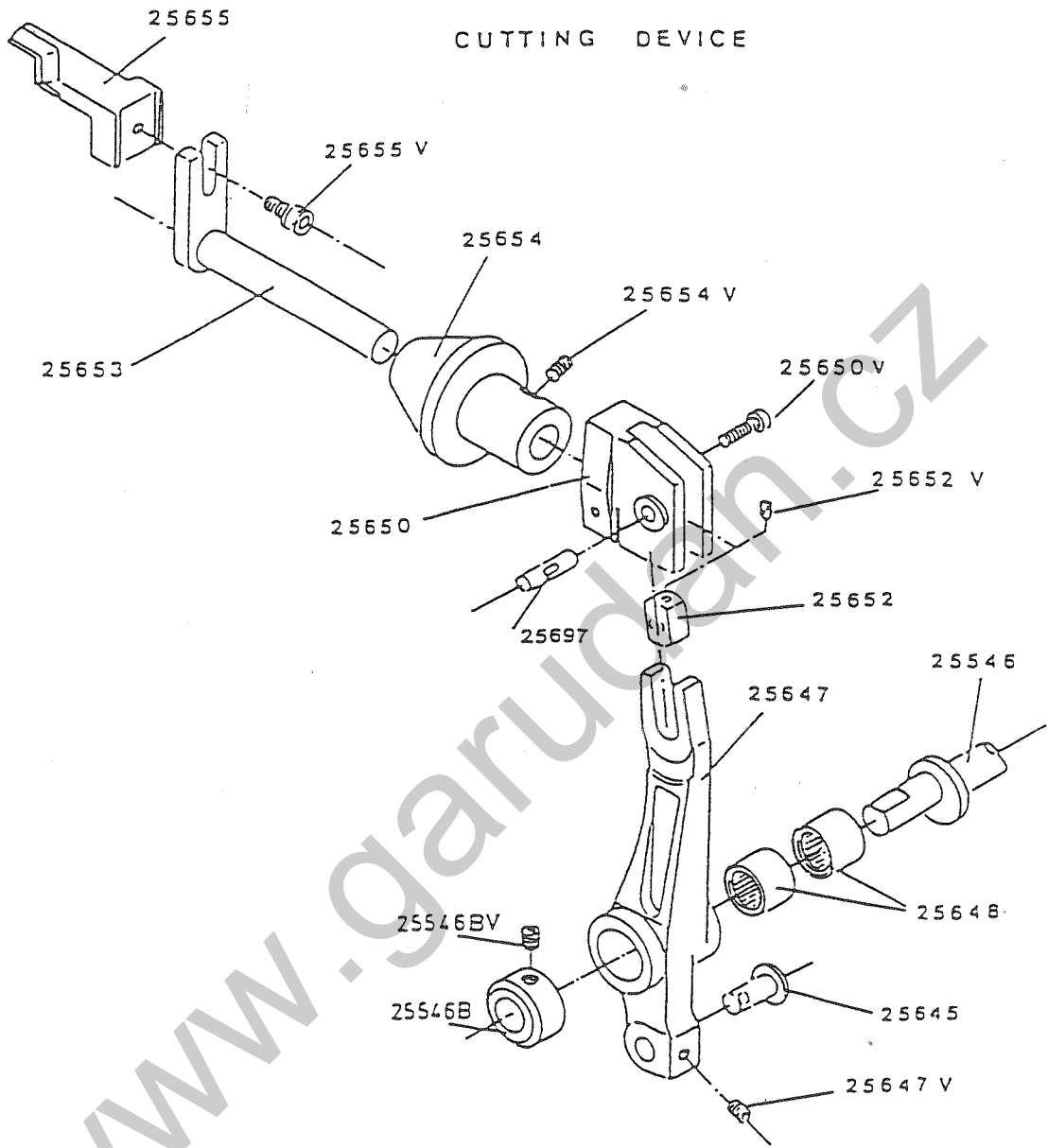
UPPER LOOPER MECHANISM



UPPER LOOPER MECHANISM

SET 25685	Complete intermediary assembly
* 25685	Intermediate lever
25685V	Screw
25686	Bearing
25687	Washer
25688	Bushing
25692	Shaft
25695	Big lever
25695V	Screw
25695VL	Screw
25696	Connection link
25697	Link pin
25698	Small lever
25698V	Screw
25698VL	Screw
25700	Upper looper shaft
25700V	Screw
25703	Washer
25703R	Spring
25704	Thrust plate
25704V	Screw
25705	Upper looper
25706	Oil window
25706A	Sticker
25706J	Packing
25706Y	Screw
25843	Plug
25844B	Sticker

When ordering parts marked with a ***
whole set will be delivered.



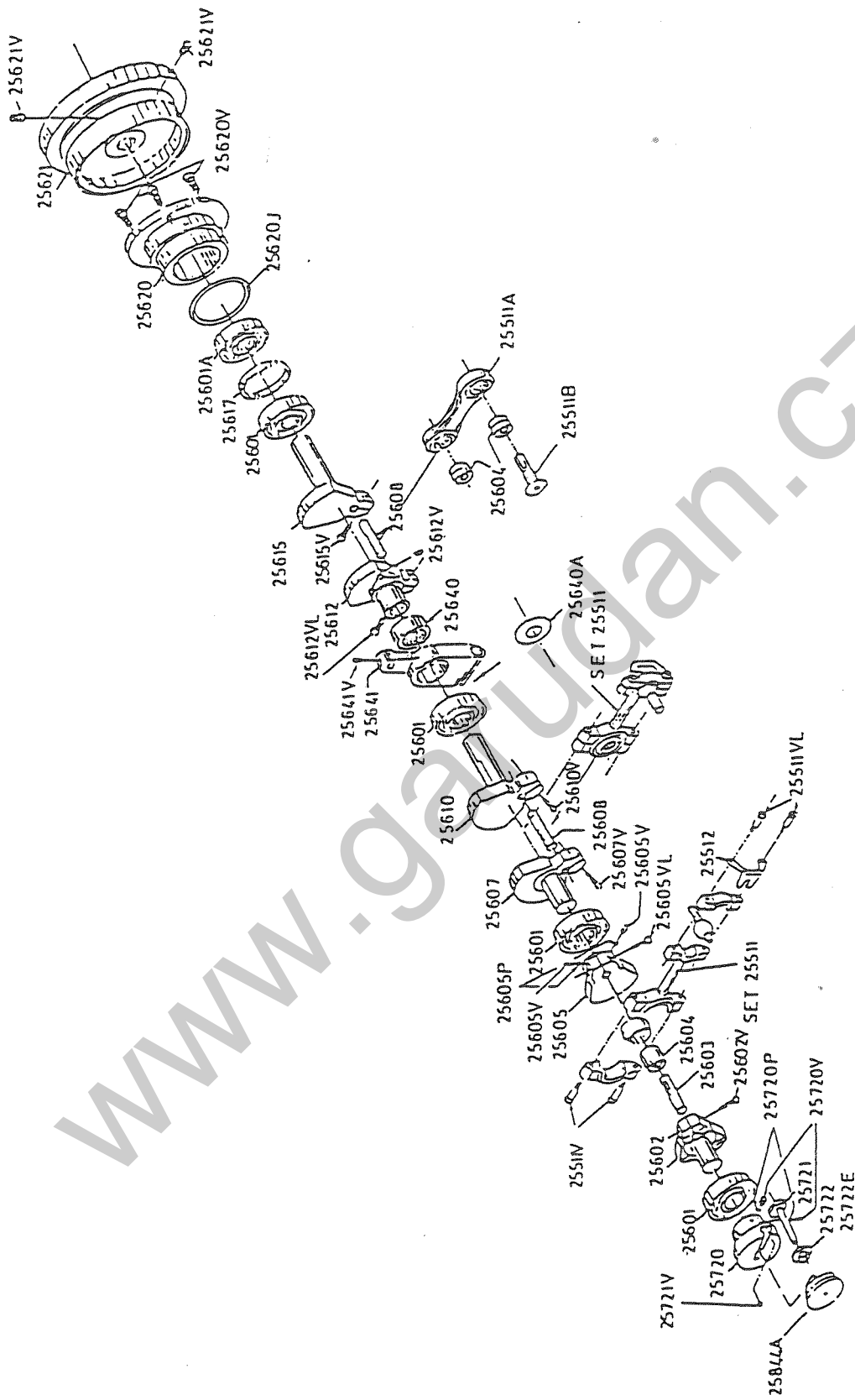
OVEREDGING MACHINE

CUTTING DEVICE MECHANISM

25546	Eccentric shaft
25546B	Collar
25546BY	Screw
25645	Stud
SET 25647	Lower knife lever complete
* 25647	Lower knife lever
25648	Bearing
25647Y	Screw
25650	Slide block guide
25650Y	Screw
25652	Slide block
25652Y	Screw
25653	Lower knife shaft
25654	Lower knife bushing
25654V	Screw
25655	Lower knife
25655V	Screw
25697	Link pin

When ordering parts marked with a "*" whole set will be delivered.

Crank shaft.

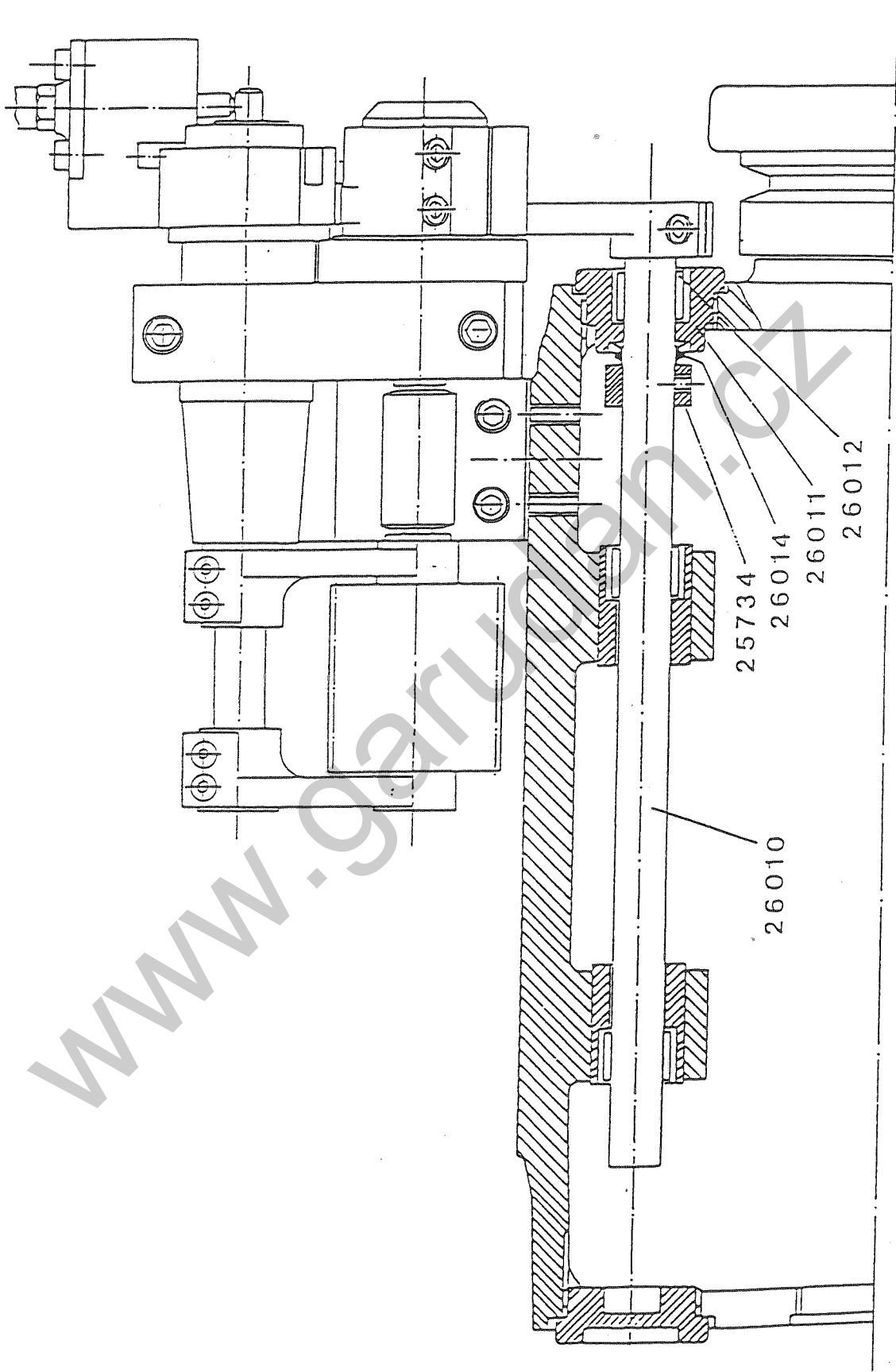


CRANK SHAFT

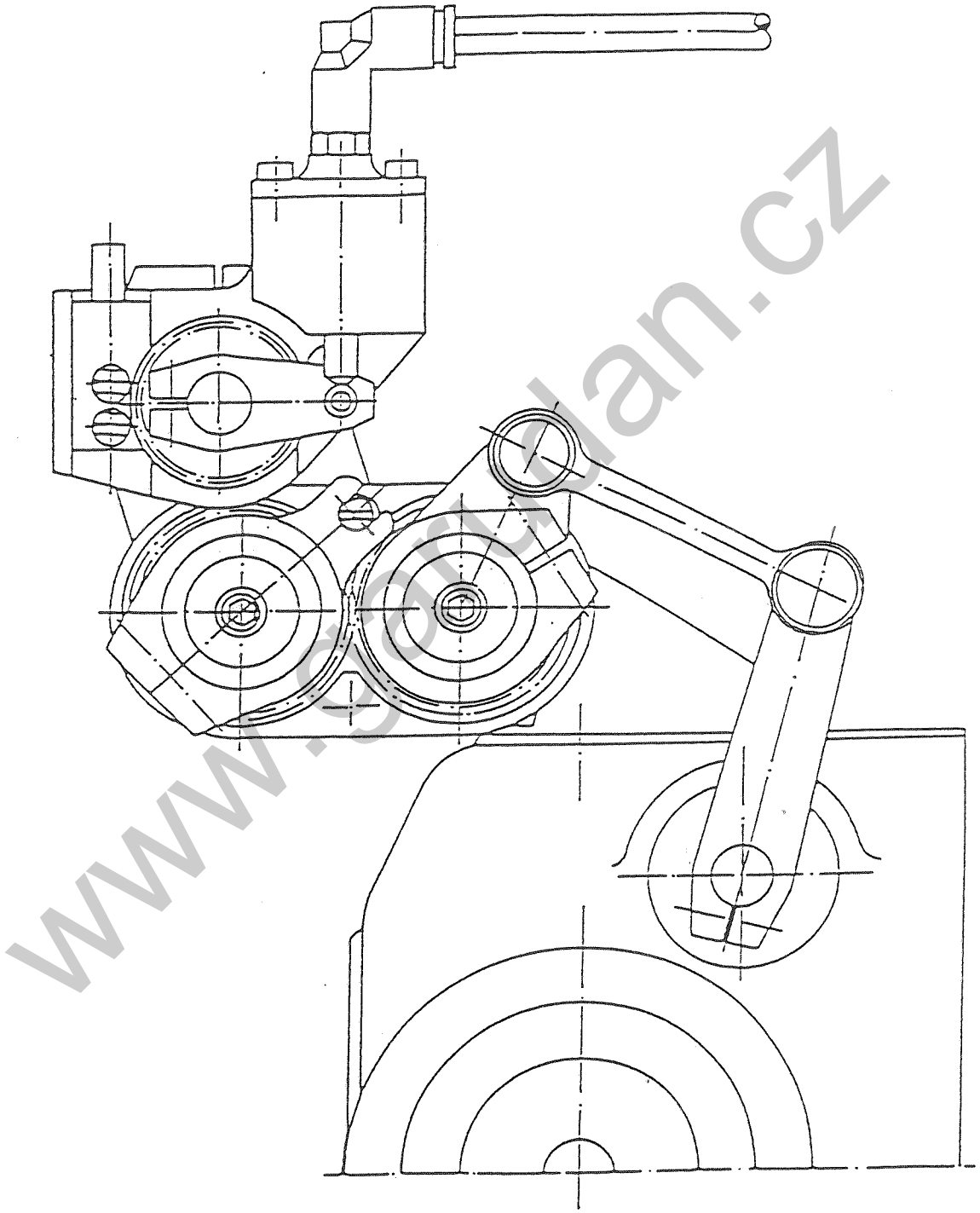
SET 25511	Connecting rod complete
* 25511	Connecting rod
25511V	Clamp screw
25511VL	Clamp screw
25512	Ball joint guide*fork
* 25513	Ball
* 25514	Ball
25604	Bearing
SET 25511A	Complete rod
25511A	Rod
25511B	Stud
25604	Bearing
25608	Pin
25601	Bearing
25601A	Bearing
25602	Crank
25602V	Screw
25603	Pin
25605	Crank
25605P	Protection
25605V	Screw
25605VL	Screw
25607	Crank
25607V	Screw
25608	Pin
25610	Crank
25610V	Screw
25612	Crank
25612V	Screw
25612VL	Screw
25615	Crank
25615V	Screw
25617	Ring
25620	Flange
25620J	O-ring
25620V	Screw
25621	Pulley
25621V	Screw
25640A	Washer
SET 25641	Lower knife driving link complete
25640	Bearing
* 25641	Lower knife driving link
25641V	Screw
25720	Eccentric
25720P	Proection
25720V	Screw
25721	Feed across regulator
25721V	Screw
25722	Washer
25722E	Nut
25844A	Plug

When ordering parts marked with a *...
whole set will be delivered.

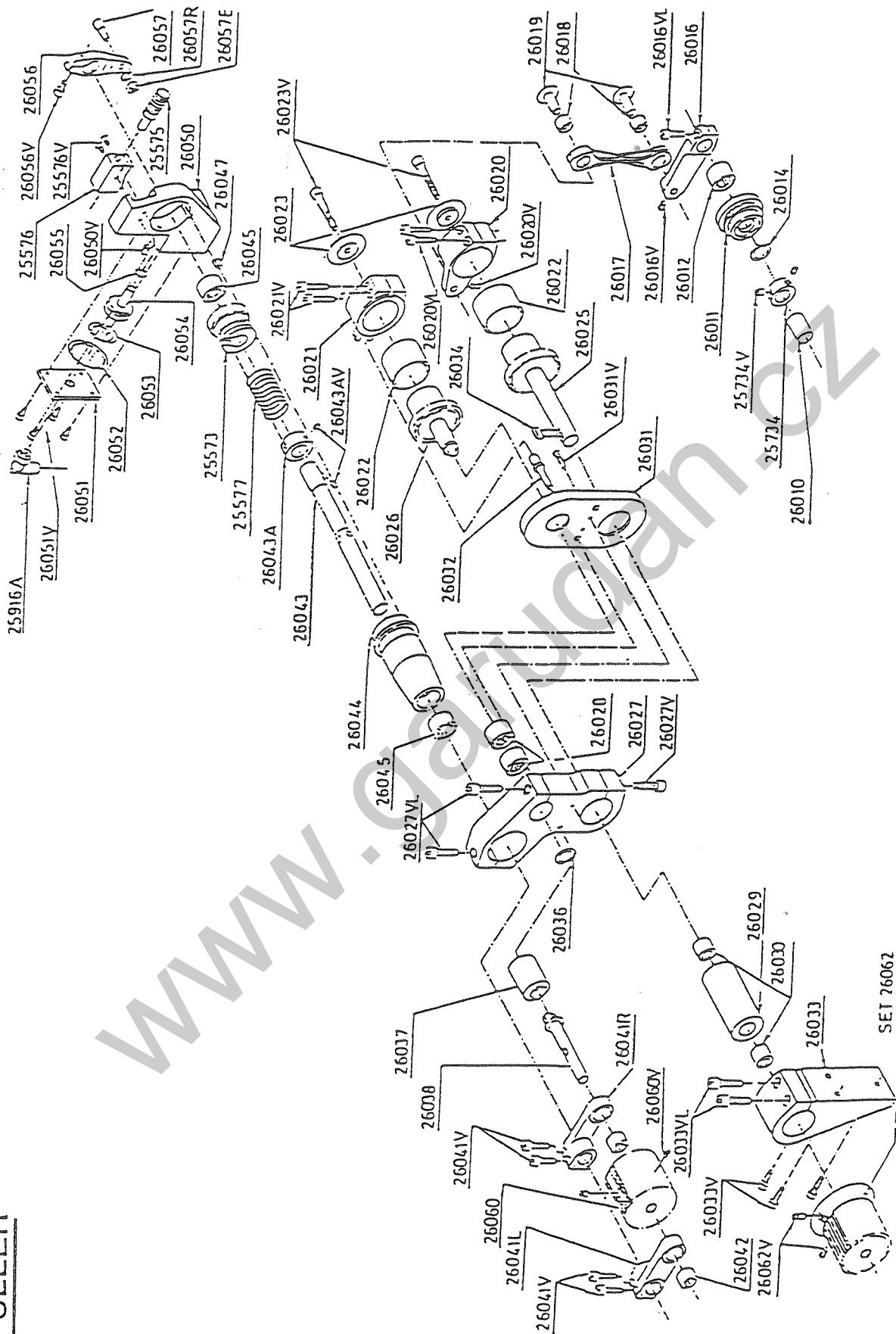
FITTING A PULLER ON
CARPET OVEREDGING MACHINE



FITTING A PULLER ON
CARPET OVEREDGING MACHINE



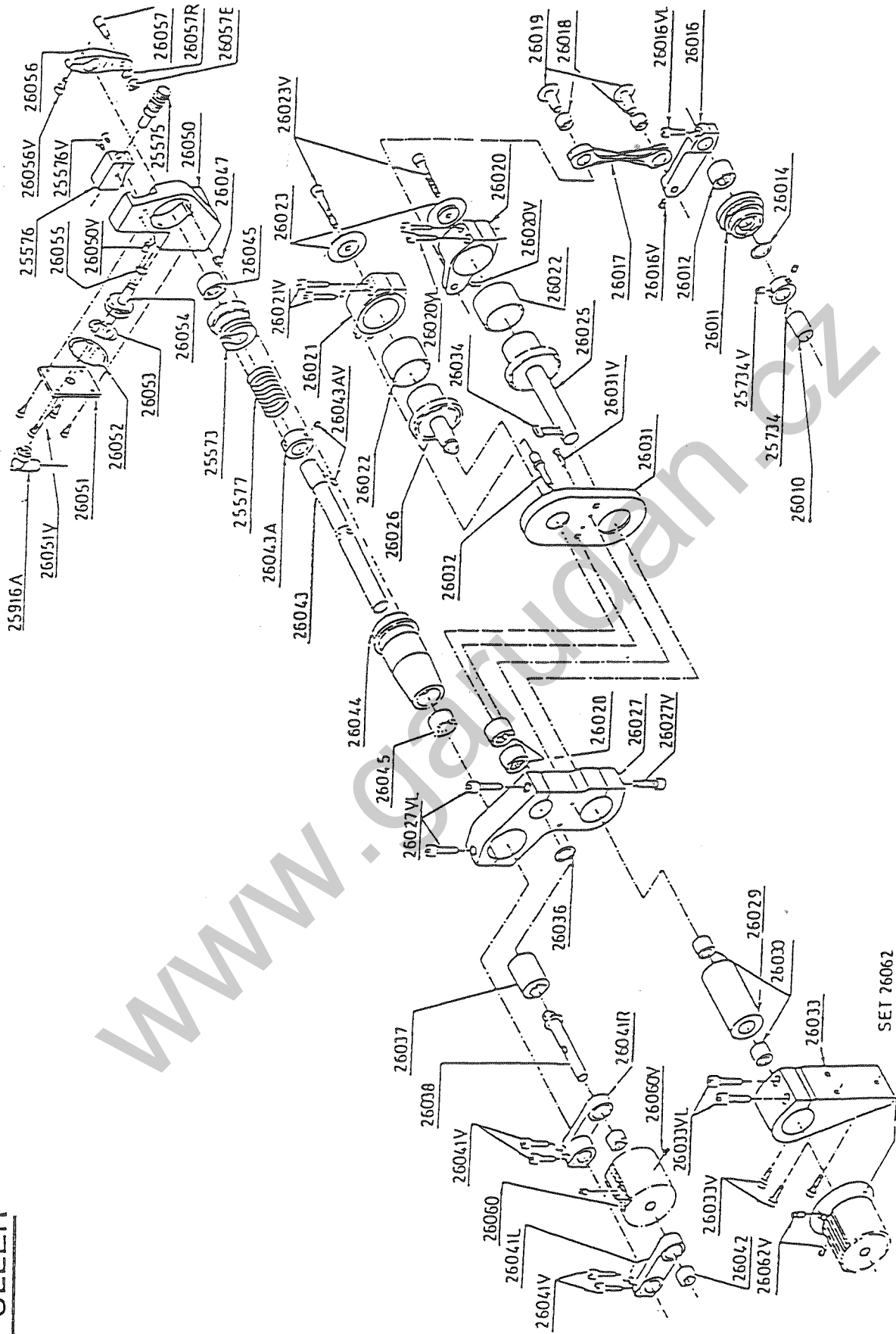
PULLER



PULLER

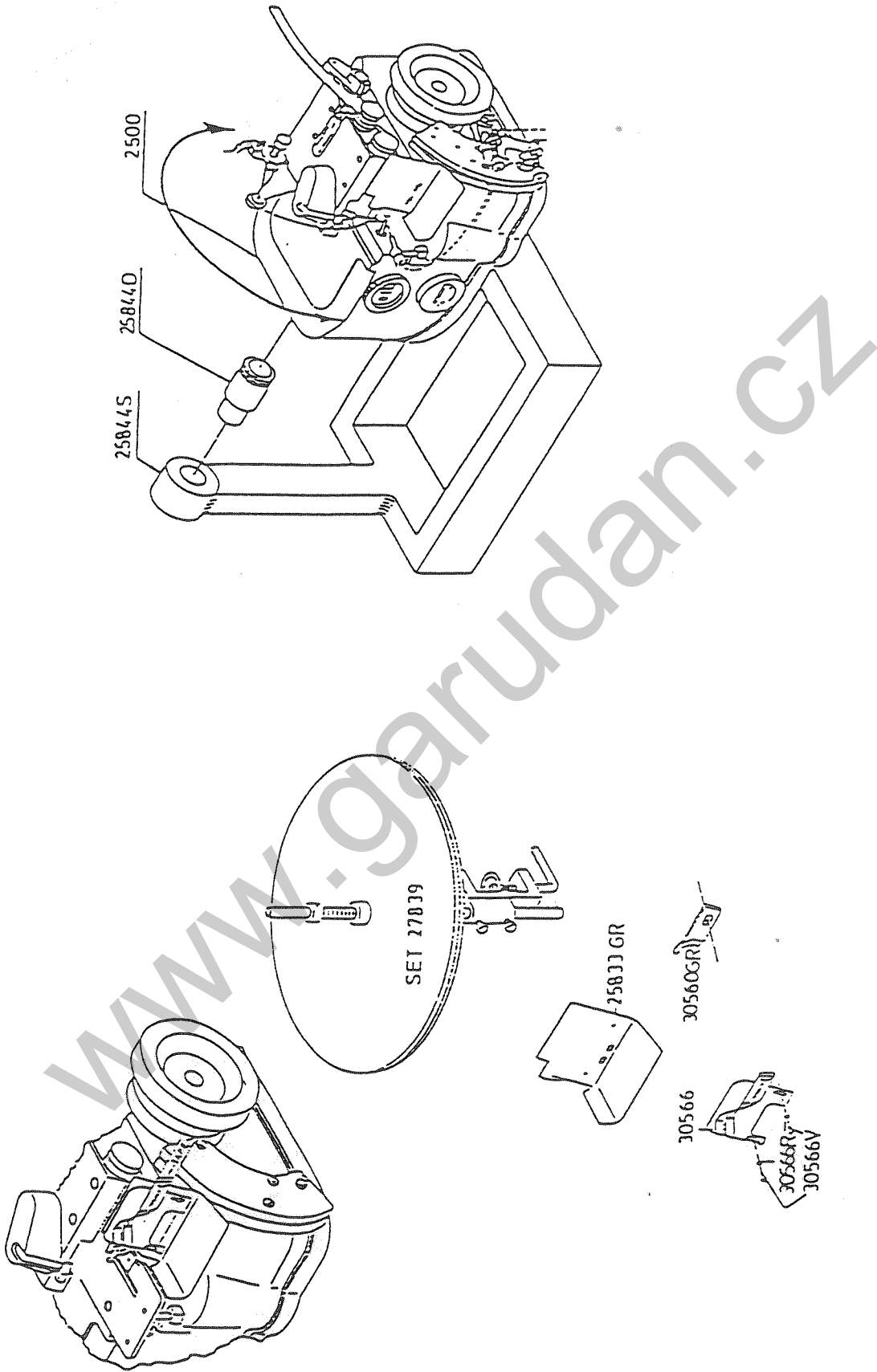
25573		Bushing
25575		Regulating screw
25576	25576L	Regulating screw holder
25576V		Screw
25577	25577L	Foot lifter spring
25734		Thrust collar
25734V		Screw
26010		Big axle
26011		Bushing
26012		Bearing
26014		Seal-Ring
26016		Lever
26016V		Screw
26016VL		Screw
26017		Lever
26018		Bushing
260019		Pin
26020		Lever
26020V		Screw
26020VL		Screw
26021		Lever
26021V		Screw
26022		Wheel
26023		Washer
26023V		Screw
26025		Lower shaft
26026		Upper shaft
26027		Frame
26027V		Screw
26027VL		Screw
26028		Bearing
26029		Bushing
26030		Bearing
26031		Gear cover
26031V		Screw
26032		Pin
26033		Fixation support
26033V		Screw
26033VL		Screw
26034		Block
26036		Snap ring
26037		Bushing
26038		Cardan
26041R		Lever
26041V		Screw
26041L		Lever
26042		Bearing
26043		Shaft for levers
26043A		Thrust collar
26043AV		Screw
26044		Bushing

PULLER



26045		Bearing
26047		Block
26050	26050L	Piston frame
26050V		Screw
26051		Cover
26051V		Screw
26060		Upper feed wheel
26060V		Screw
SET 26062		Lower feed wheel
26062V		Screw
SET 26054		Pneumatic cylinder (OPTION)
25916A		Elbow
26052		O-Ring
26053		O-Ring
26054		Piston
26055		O-Ring
26056		Lever
26056V		Screw
26057		Pin
26057E		Nut
26057R		Washer

www.garudan.cz

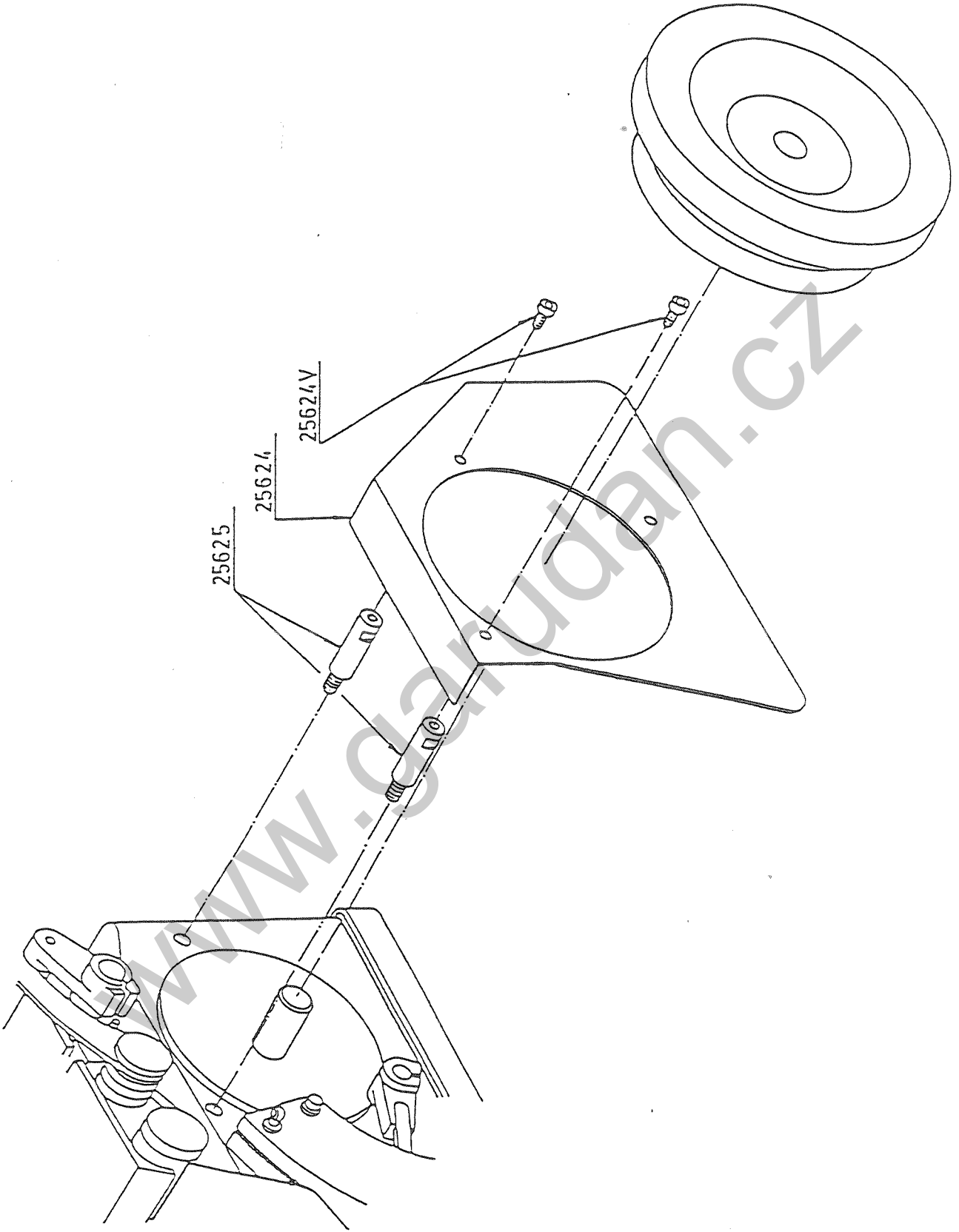


SERVICING WORKSTAND

TAPE INSERTION
WITH OR WITHOUT KNIVES

www.garudan.cz

BELT GUARD



Setting of length of
stitch device.
(option).

